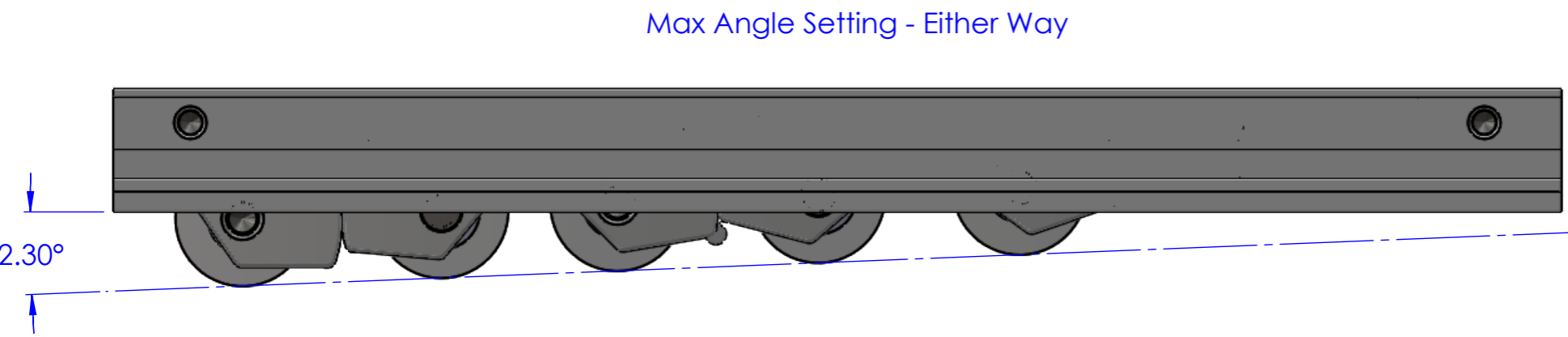
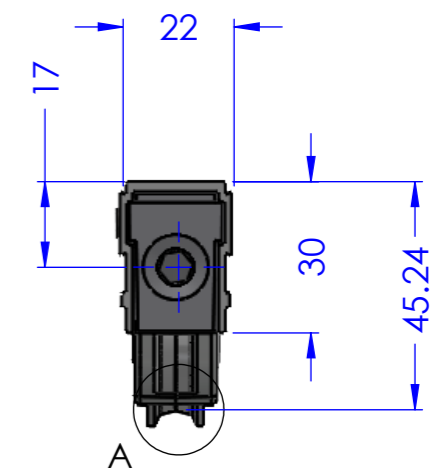
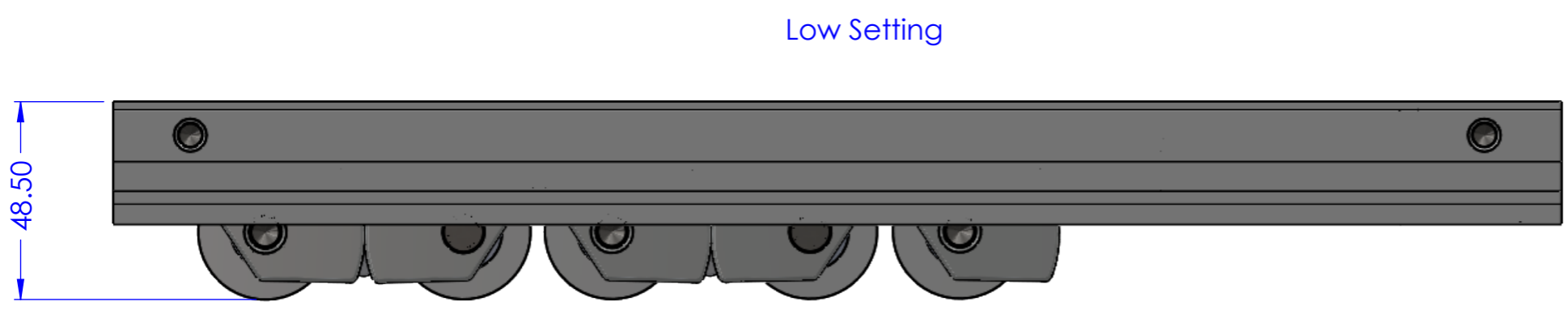


DETAIL A  
SCALE 2 : 1

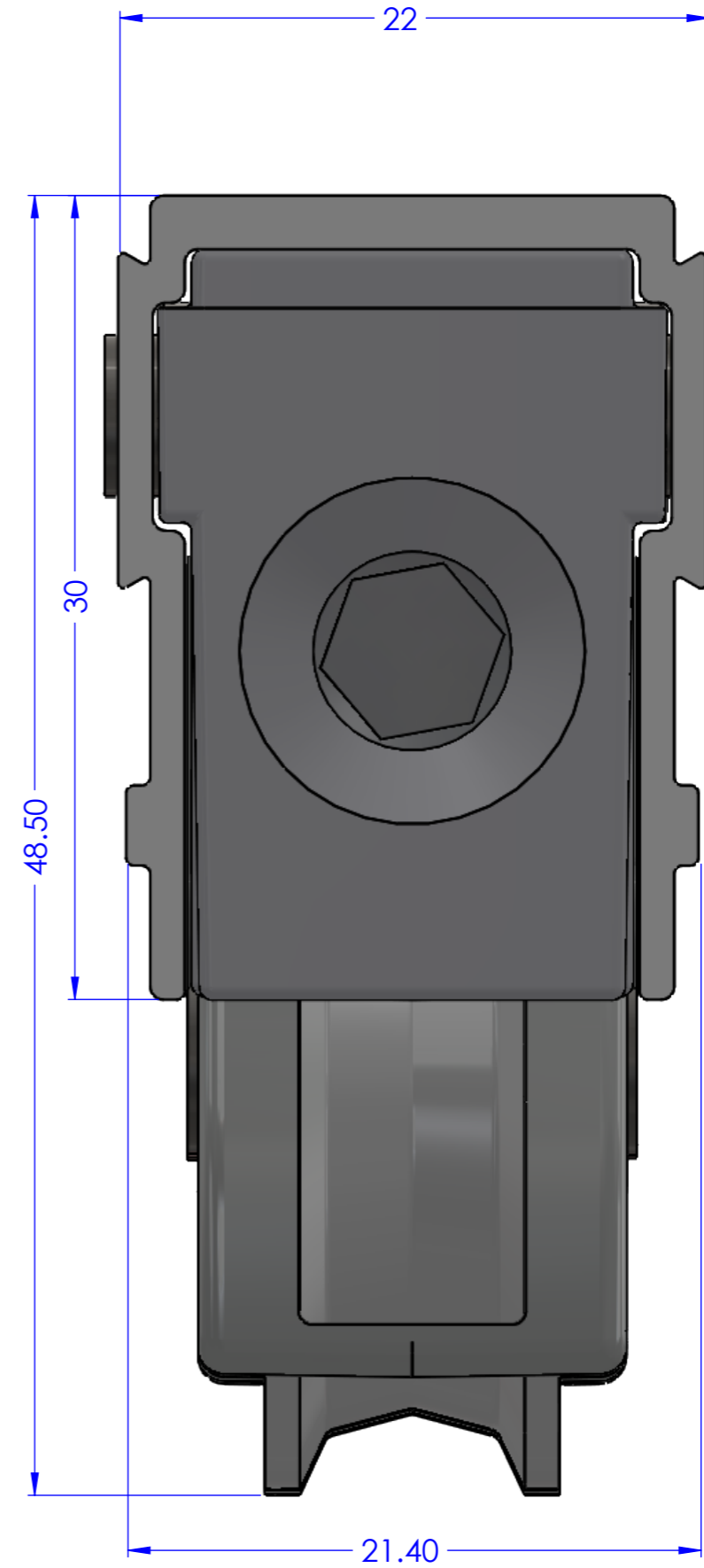
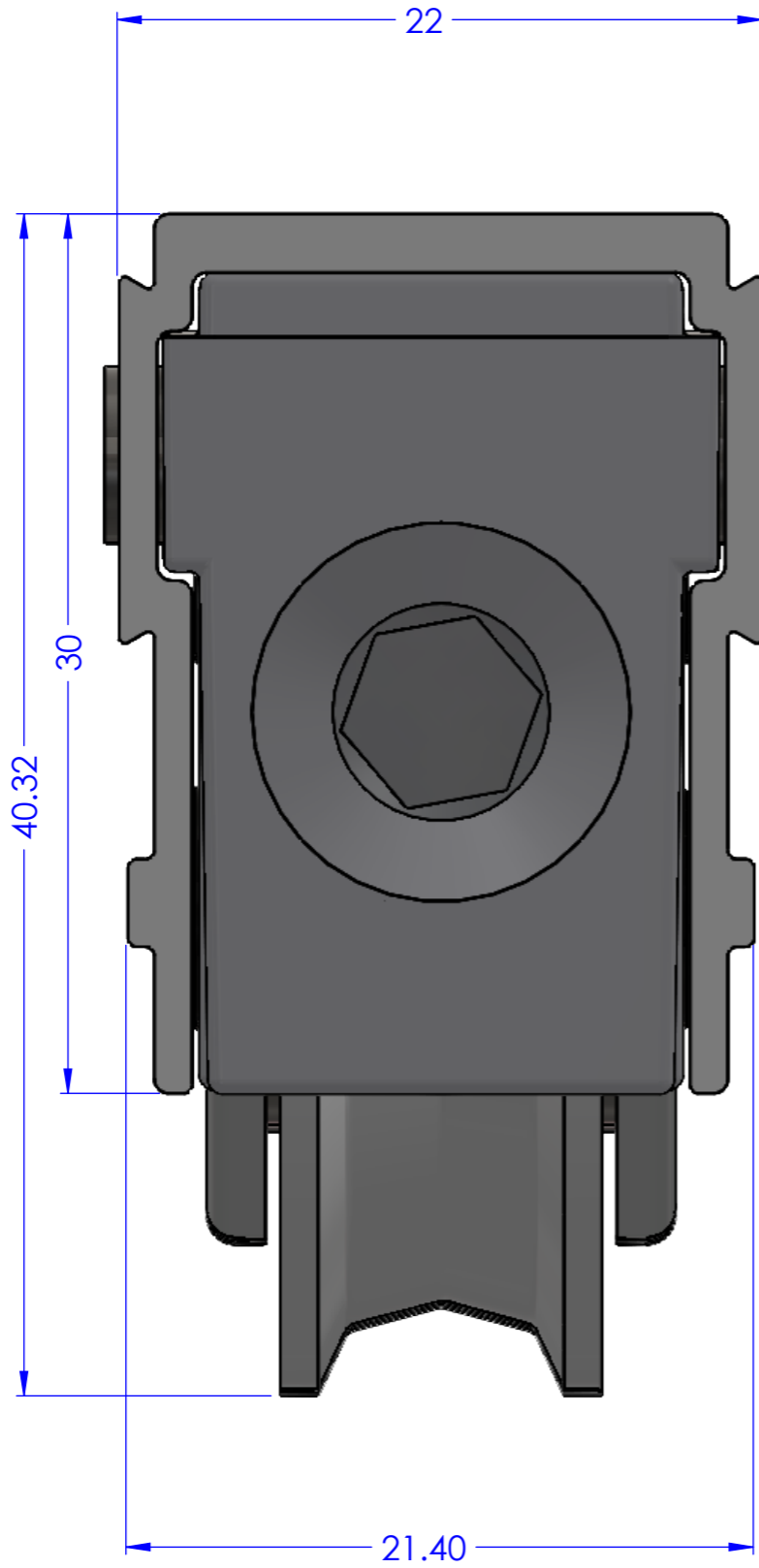


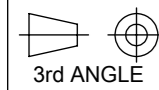

TOLERANCES  
UNLESS OTHERWISE STATED  
LINEAR > 50 = ±0.3  
< 50 = ±0.15  
ANGULAR = ±2°

NOTES FOR MANUFACTURE :-				Project #	60-0025	MATL - As Specified	Part #	4010031
				Drawn By	RJW	FINISH - Powder-Coated	Dwg #	
				Approved		Title	4010031	
				Date	11 Feb 14	225kg - 5 Wheel Scissor Action Roller	Sheet #	Revision
				Scale	1:1.5	Customer	1 of 2	01
				File	4010031 - 5 Wheel Version	Stafford Hardware Ltd		

**Stafford Hardware Ltd.**  
 53-57 MAHANA ROAD  
 Te Rapa, Hamilton  
 New Zealand  
 TEL. 07 849-4868

PO BOX 10196  
 Te Rapa Hamilton  
 New Zealand  
 FAX. 07 850-8509



 <p>3rd ANGLE</p>	<p><b>NOTES FOR MANUFACTURE :</b></p>	<p><b>TOLERANCES</b></p> <p>UNLESS OTHERWISE STATED</p> <p>LINEAR &gt; 50 = ±0.3</p> <p>&lt; 50 = ±0.15</p> <p>ANGULAR = ±2°</p>		<p><b>Stafford Hardware Ltd.</b></p> <p>53-57 MAHANA ROAD Te Rapa, Hamilton New Zealand</p> <p>TEL. 07 849-4868</p>	<p>PO BOX 10196 Te Rapa, Hamilton New Zealand</p> <p>FAX. 07 850-8509</p>	<p>Project # 60-0025</p>	<p>MATL - As Specified</p>	<p>Part # 4010031</p>
						<p>Drawn By RJW</p>		
						<p>Approved</p>	<p>Title 225kg - 5 Wheel Scissor Action Roller</p>	<p>Dwg # 4010031</p>
						<p>Date 11 Feb 14</p>	<p>Customer Stafford Hardware Ltd</p>	<p>Sheet # 2 of 2</p>
						<p>Scale 4:1</p>		
						<p>File 4010031 - 5 Wheel Version</p>		